

# SET-UP SHEET

RACE

TRACK

NAME

CITY / COUNTRY

CONTACT

DATE

QUALIFYING POSITION	BEST LAPTIME /sec	FINAL POSITION	RACE LENGTH /min
<input type="text"/>	<input type="text"/>	<input type="text"/>	<input type="text"/>

**TRACK**

TRACK SURFACE  CARPET  ASPHALT

TRACK LAYOUT  TECHNICAL  MIXED  FAST

TRACTION  LOW  MEDIUM  HIGH

**CENTER SHOCK ABSORBER**

SPRING  OIL /cSt  REBOUND /%

PISTON  2 HOLES  3 HOLES

HOLES DIAMETER /ø  1.1mm  1.2mm  1.3mm

**SIDE SHOCK**

OIL /cSt

FRONT	TIRES	REAR
<input type="text"/>	TIRES <input type="text"/>	<input type="text"/>
<input type="text"/>	ADDITIVE <input type="text"/>	<input type="text"/>
<input type="text"/>	ADDITIVE TIMING <input type="text"/>	<input type="text"/>
FRONT LEFT <input type="text"/>	ADDITIVE TREATED AREA <input type="text"/>	REAR LEFT <input type="text"/>
FRONT RIGHT <input type="text"/>		REAR RIGHT <input type="text"/>

**DIFF SETTING**

LOOSE  MEDIUM  TIGHT

**GEARING**

PINION /T  SPUR GEAR /T  FINAL DRIVE RATIO

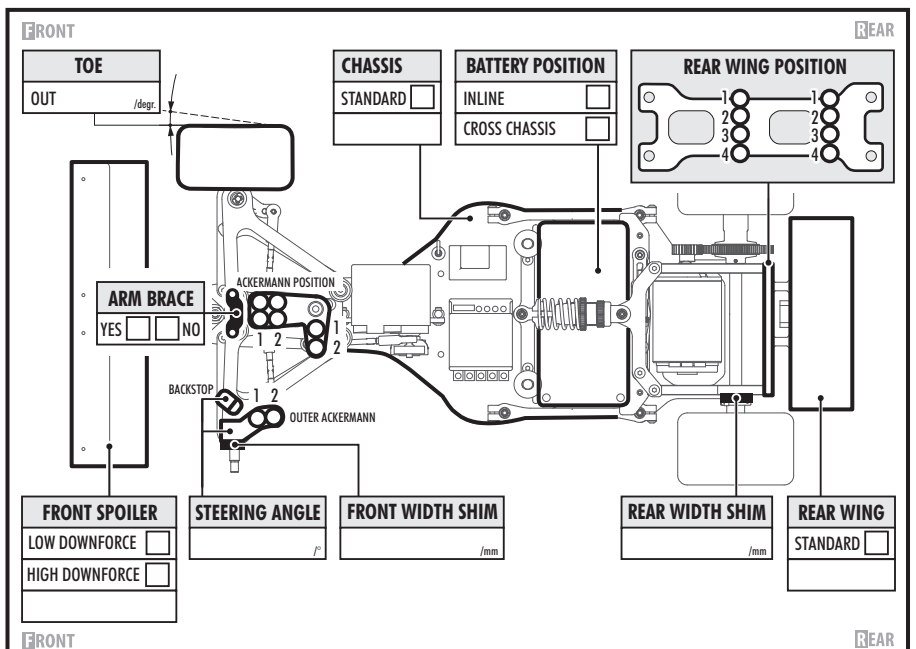
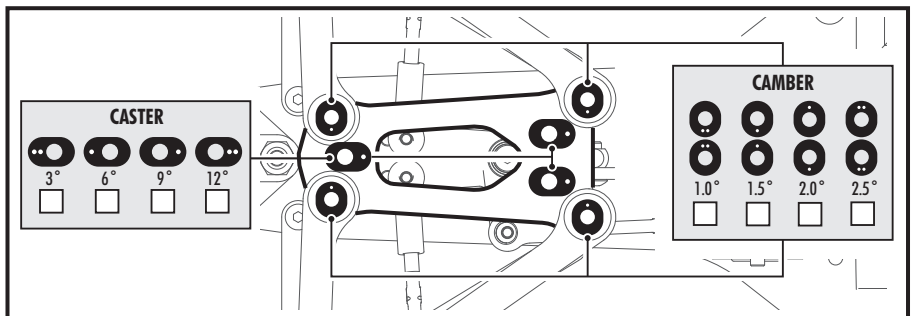
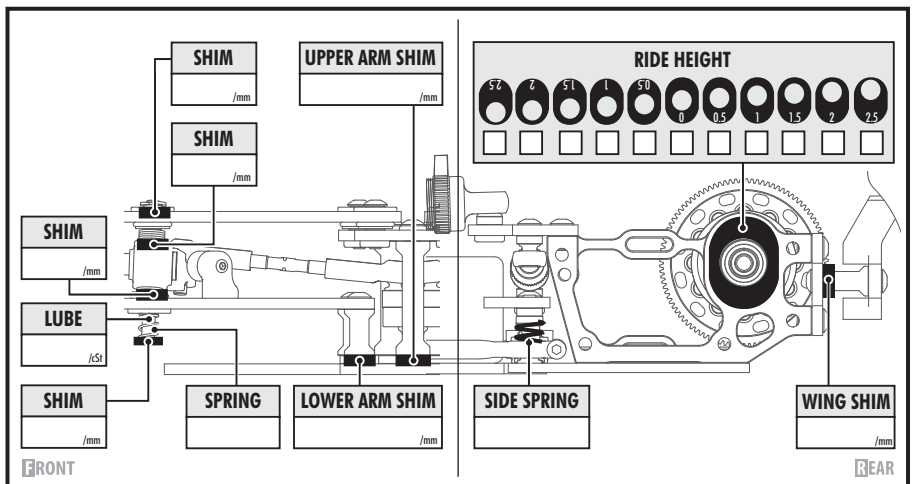
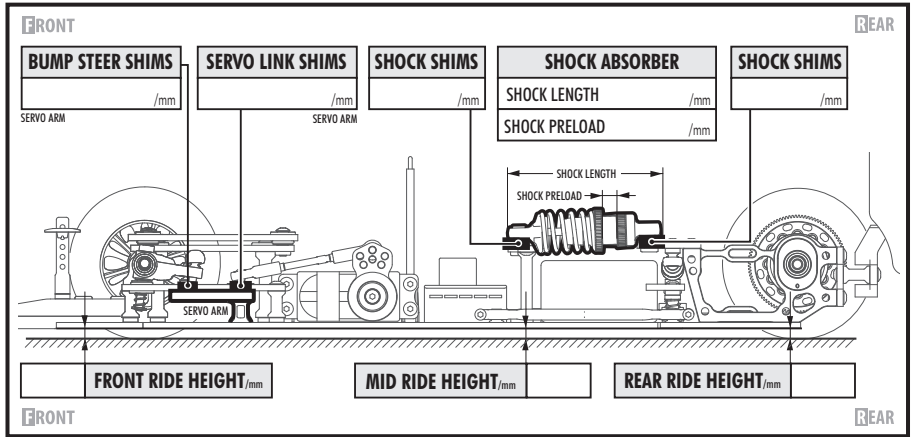
**ELECTRONICS**

MOTOR

SPEEDO

BATTERIES

**BODY**



**COMMENTS**